

LUXMAN

PHONO AMPLIFIER
E-07



New milestones in phono equalizer amplifier that skillfully enhance analog playback

The role of a phono equalizer amplifier is to accurately and carefully amplify the emotional nuances of the music detected by the phono cartridge from the record and pass it to the next stage amplifier.

LUXMAN, celebrating its 100th anniversary in 2025, has developed the E-07, an all-solid-state phono equalizer amplifier that sets a new benchmark in performance and sound quality.

This model is designed to further enhance the enjoyment of deep analog vinyl playback.

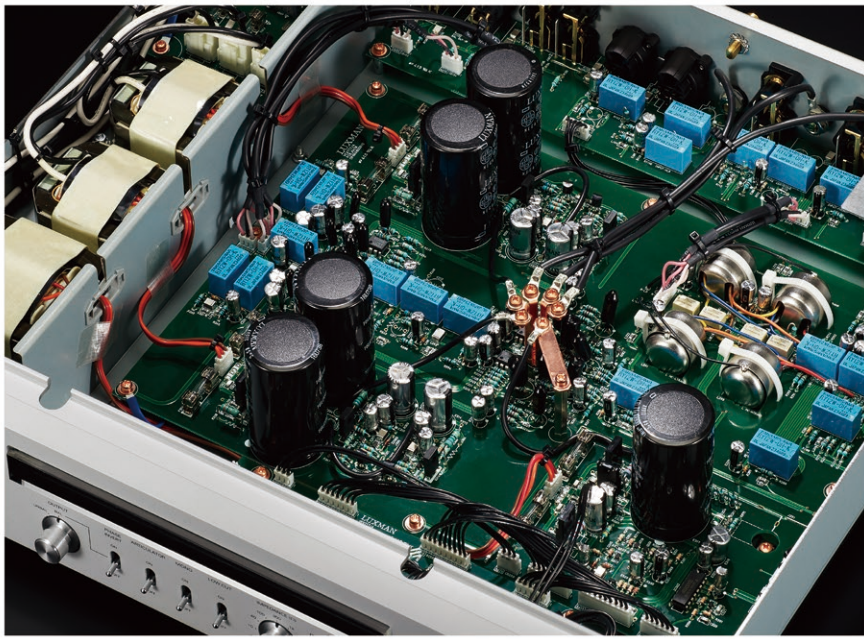


Compatible with various analog playback environments, including balanced connections for MC cartridges



The E-07 features a slim chassis designed to match the width of LUXMAN's separate amplifiers and integrated amplifiers, complemented by a blaster white finish front panel for design consistency. It incorporates the performance and diverse functions required for a modern phono equalizer amplifier, enhancing the enjoyment of deep analog playback. Our newly developed step-up transformer for MC cartridges utilizes a super permalloy core with high responsiveness to small signals. It comprises two independent units for each channel and Low/High gain, allowing for optimal transformer selection based on the chosen impedance group. Additionally, it supports balanced inputs that can receive differential signals from MC cartridges without loss of output energy, improving left-right stereo separation and image localization. The input options include one balanced pair (XLR) and two unbalanced pairs (RCA) terminals, enabling the construction of versatile analog playback environments through connection with various amplifier devices.

All-solid-state, high-quality NF-type phono equalizer amplifier



Since phono equalizer amplifiers must handle minute audio signal voltages generated by analog audio products, the E-07 excels by applying LUXMAN's extensive experience and expertise in amplifier circuit technology. This unit features a high S/N ratio, MM/MC compatible RIAA curve and high-quality NF-type transistors, utilizing a low-noise circuit design, achieved by paralleling four individual FETs in the primary stage. This phono amplifier incorporates carefully selected components prioritized for supreme audio quality; including high-end, original, custom developed components, all of which have gone through extensive listening tests, resulting in a rich, dynamic sound, worthy of LUXMAN's approval. The chassis, a crucial element influencing sound quality and tonal characteristics, employs a loopless chassis structure that isolates the power supply from the amplifier sections while minimizing ground impedance generated by chassis currents. Additionally, the OFC cable, used for all internal wiring, has precise, spiral-wrapped shielding and pure, unplated copper cores to ensure natural signal transmission and clarity. The design features gold-plated, reversed AC inlet that supports heavy IEC cable weight across the terminals, further enhancing the essential elements required for optimal analog playback.

Technology that supports high-grade analog playback



Precise load adjustment for optimal cartridge performance

The E-07 features a six-position rotary load impedance selector for MC cartridges (4.7/10/40/100/300/1k Ω) on the front panel. The rear panel has load impedance selector switches for MM cartridges (34/47/56/100k Ω) as well as load capacitance selector switches (0/100/220/320pF). This allows for more precise adjustments to fully maximize the sound quality across a wide range of phono cartridge types.

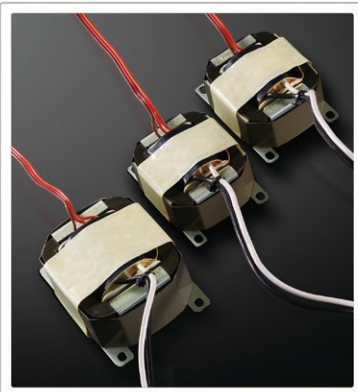


A Variety of functions to enhance convenience

The E-07 features an articulator function that defeats magnetization of the cartridge and MC transformer using the signal current from the record being played. Luxman has added a low-cut switch that suppresses woofer instability by cutting low frequency artefacts often caused by warped records. The Mono Mode switch offers convenient playback of mono records and a phase inversion switch on the front panel reverses the phase of the balanced outputs according to your connected next-stage equipment.

Large capacity power transformer with independent filtering

The E-07 features a total of three robust power transformers, configured independently for left and right audio processing circuitry, as well as a separate transformer for the indicators and relay drive circuits. This design creates an ideal power environment where load fluctuations in each circuit block do not interfere with one another. Additionally, it is equipped with excellent, independent power supply regulation that yields an extremely stable current supply, thanks to our power amplifier-grade, large value block capacitors (10,000 μ Fx 5).



Low-impedance Ground Connection Structure

In the E-07, to enhance transmission stability in circuits that handle minute signals, we developed a petal-shaped grounding structure (PGS) that consolidates each circuit's signal reference point into a single location. Ultra-thick steel plates connect the ground in a radial pattern to each section at an identical low impedance and uniform distance. Additionally, LUXMAN's unique rounded pattern PCB tracing has been adopted to enable smooth current transmission, thoughtfully designed to facilitate the natural flow of music signals.



Large independent brass grounding terminals for each input

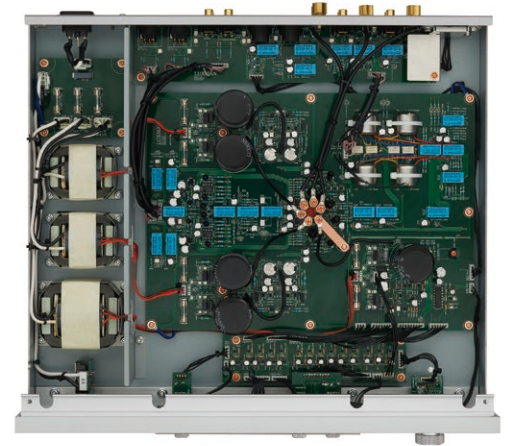
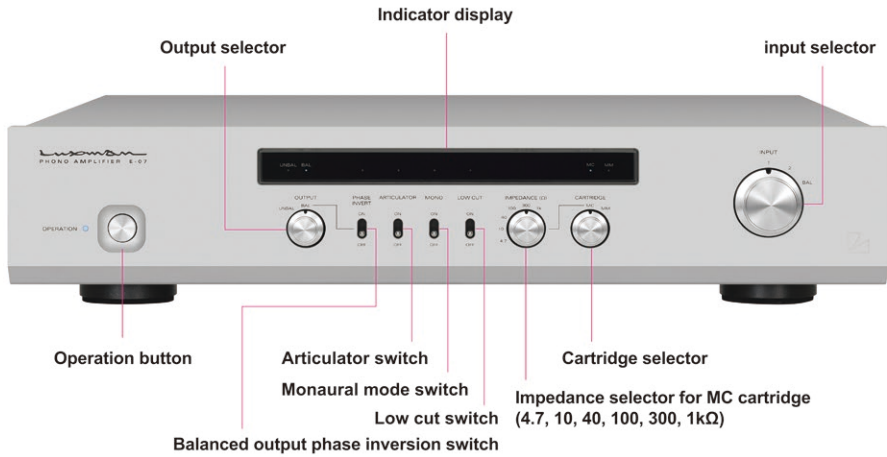
For the E-07, we have introduced large grounding terminals machined from solid brass with a gold-plated finish. Each input terminal (Unbalanced 1, Unbalanced 2, and Balanced 1) is equipped with a dedicated phono ground terminal connected to that circuit's reference point, along with a traditional frame ground terminal connected to the main chassis, for a total of four terminals. This ensures the secure grounding wire connections and minimizes the occurrence of hum, noise and other interference.



Ultra-thick, highly rigid chassis base with thorough vibration control

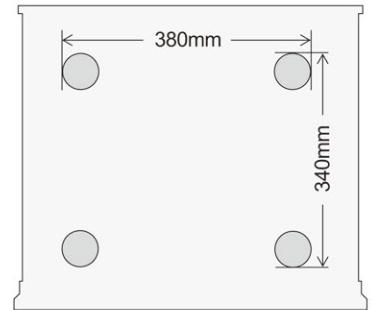
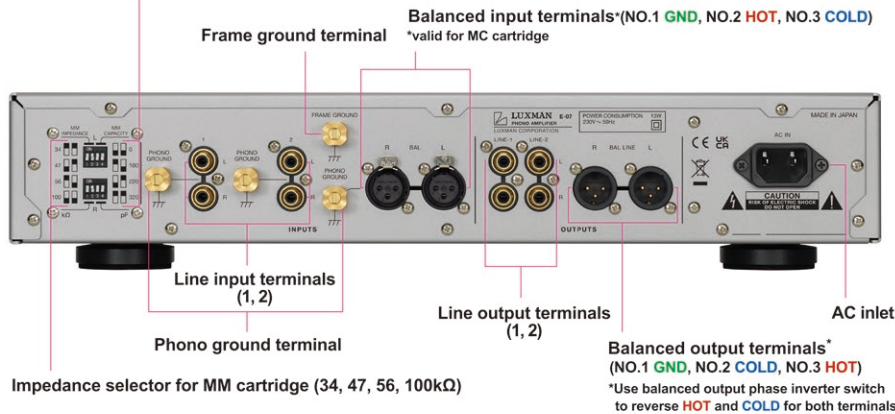
The slim, fully sized E-07 aluminum chassis features a beautiful, blasted white finish front panel, equipped with a variety of toggle and rotary switches and a slim display window. The bottom of the chassis consists of two ultra-thick copper plates (total 3.6mm thick) stacked together, enhancing ground mass, lowering the center of gravity and improving chassis rigidity. Additionally, density gradient cast iron insulator feet are installed to isolate the unit from unwanted vibrations during music playback.

E-07 PHONO AMPLIFIER



Internal configuration

Capacitance selector for MM cartridge (0, 100, 220, 320pF)



Insulator position / dimensions

SPECIFICATIONS

Circuit configuration	Non-feedback type phono equalizer (RIAA, first stage four parallel FET, unbalanced configuration)
MC step-up transformer	Super permalloy core x 4 (L/R channel, L/H impedance independent) : 0.3mV / 100Ω
Input sensitivity	MM 3.2mV, MC-H 0.37mV, MC-L 0.12mV
Rated output / output impedance	250mV / Unbalanced 300Ω, Balanced 600Ω
Load capacity	MM 0 / 100 / 200 / 320pF
Gain	MM 38dB, MC-H 57dB, MC-L 66dB
Maximum input	MM 120mV, MC-H 15mV, MC-L 5mV
RIAA response	MM 20Hz to 20kHz (±0.1dB), MC 20Hz to 20kHz (±0.3dB)
Total harmonic distortion	0.003%

S/N ratio (IHF-A)	MM 88dB, MC-H 81dB, MC-L 78dB
Channel separation	80dB or more
Power transformer	OI type x 3 (L/R independent + Peripheral circuit)
Insulator feet	Density gradient
Power supply	230V~(50Hz) / 115V~(60Hz)
Power consumption	13W
External dimensions	440(W) x 92(H) x 407(D) mm front side knob of 14mm and rear side terminal of 37mm included in depth
Net weight	13.2kg (main unit)
Accessories	Power cable

MC type phono cartridge



MOVING COIL PHONO CARTRIDGE
LMC-5

D.U.C.C. core phono cable (XLR type)



PHONO CABLE
JPC-15000PH

D.U.C.C. core phono cable (RCA type)



PHONO CABLE
JPR-15000PH

Specifications and appearance are subject to change without notice. * The products listed in this catalog do not include line cables. Please purchase cables separately.

LUXMAN

LUXMAN CORPORATION, 1-3-1 Shinyokohama, Kouhoku-ku, Yokohama-shi, Kanagawa 222-0033, Japan
Tel: +81-45-470-6980 Fax: +81-45-470-6997 www.luxman.com
LUXMAN reserves the right to alter the design and specifications without notice.
All rights reserved LUXMAN CORPORATION



Safety Cautions

To ensure correct use of this product, read the "Owner's Manual" prior to use. Failure to follow all safeguards can result in fire, electric shock, or other accidents.